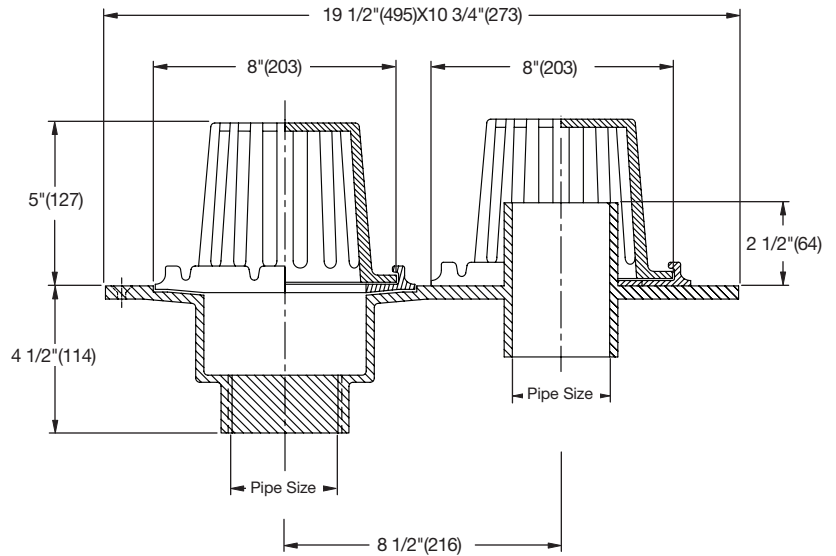


Combination Roof Drains

RD-250 Flanged Cast Iron Roof Drain/Overflow System

Model Number	Outlet Size	WT., lbs.	List Price
RD-252, 3, 4	2,3,4,"	28	\$845.50

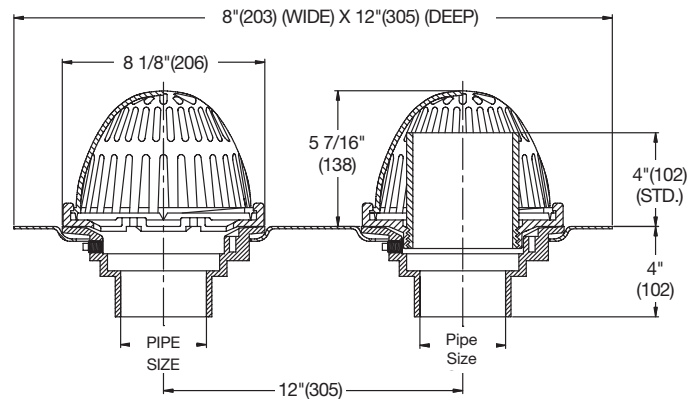


Options for RD-250 Series:

Suffix	Description	List Price
-L	Vandal Proof	No Add

RD-260 Roof Drain/Overflow System

Model Number	Outlet Size	WT., lbs.	List Price
RD-262, 3, 4	2,3,4,"	36	\$1,148.50



Options for RD-260 Series:

Suffix	Description	List Price	Suffix	Description	List Price
None	No Hub	No Add	-GSS	Stainless Steel Ballast Guard	\$922.50
P	Push-On Outlet	No Add	-K	Ductile Iron Dome	174.00
T	Threaded Outlet	\$160.00	-K13	Galvanized Dome	476.00
X	Inside Caulk Outlet	No Add	-K80	Aluminum Dome	360.00
-60	PVC Body w/Socket Outlet	No Add	-K83	SS Mesh Covered Dome	887.50
-61	ABS Body w/Socket Outlet	No Add	-L	Vandal Proof Dome	229.50
-13	Galvanized Body & Flashing Clamp	394.00	-R	2" External Water Dam	No Add
-D	Underdeck Clamp	295.00			